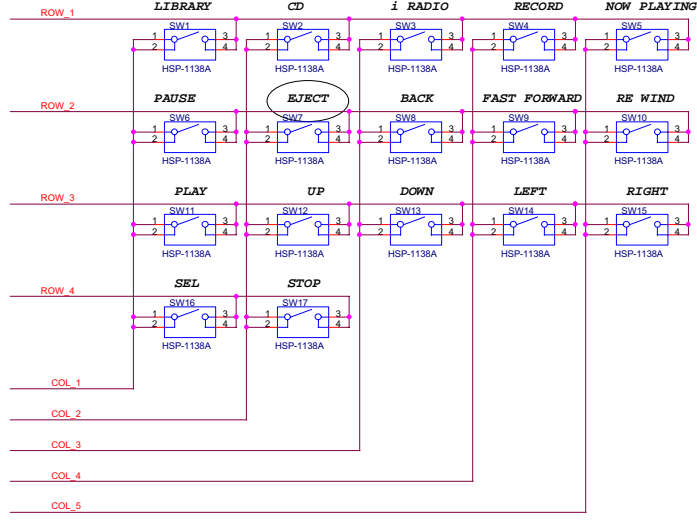
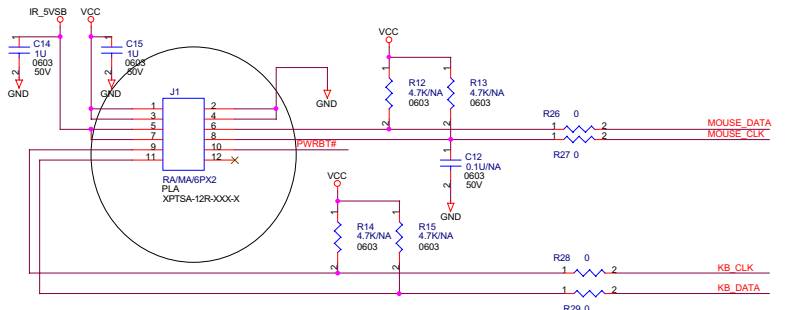


BUTTON TABLE

K1	LIBRARY
K2	CD
K3	i RADIO
K4	RECORD
K5	NOW PLAYING
K6	PAUSE
K7	EJECT
K8	BACK
K9	FAST FORWARD
K10	RE WIND
K11	PLAY
K12	UP
K13	DOWN
K14	LEFT
K15	RIGHT
K16	SEL
K17	STOP
K18	RESERVE



PCB 31670820003
PCB:PWA-BK6742/KB & IR BD

DRAWN	DESIGN	CHECK	ISSUED



Project Title	PCB:PWA-BK6742/KB & IR BD
Page Title	IR & KB BD
Document Number	411708200008
Date	Thursday, March 22, 2001
Sheet	1 of 1