

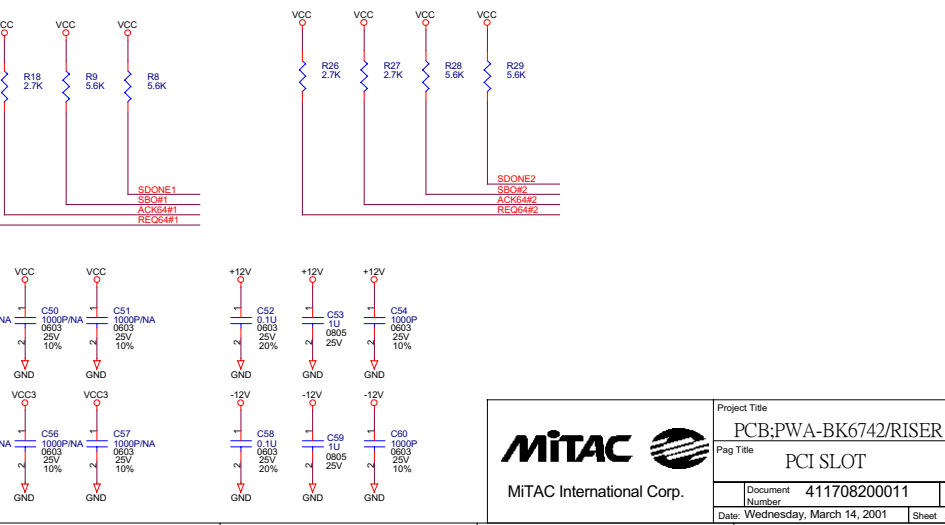
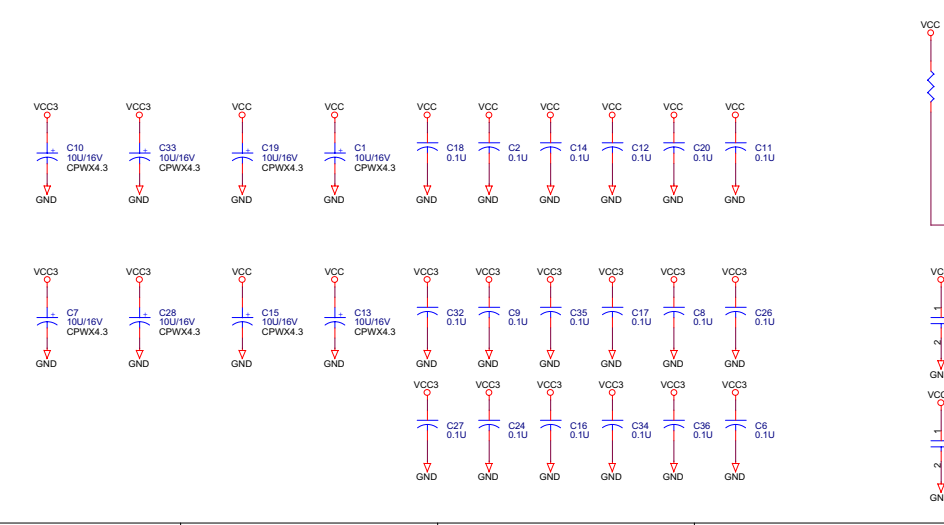
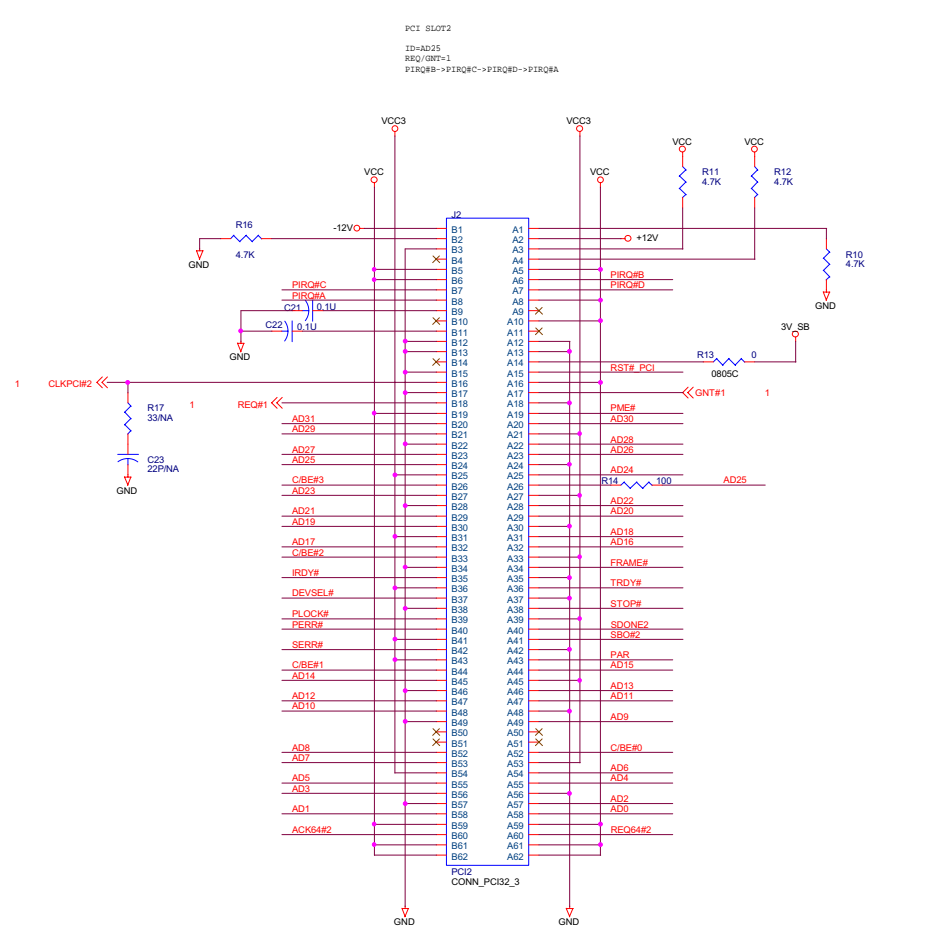
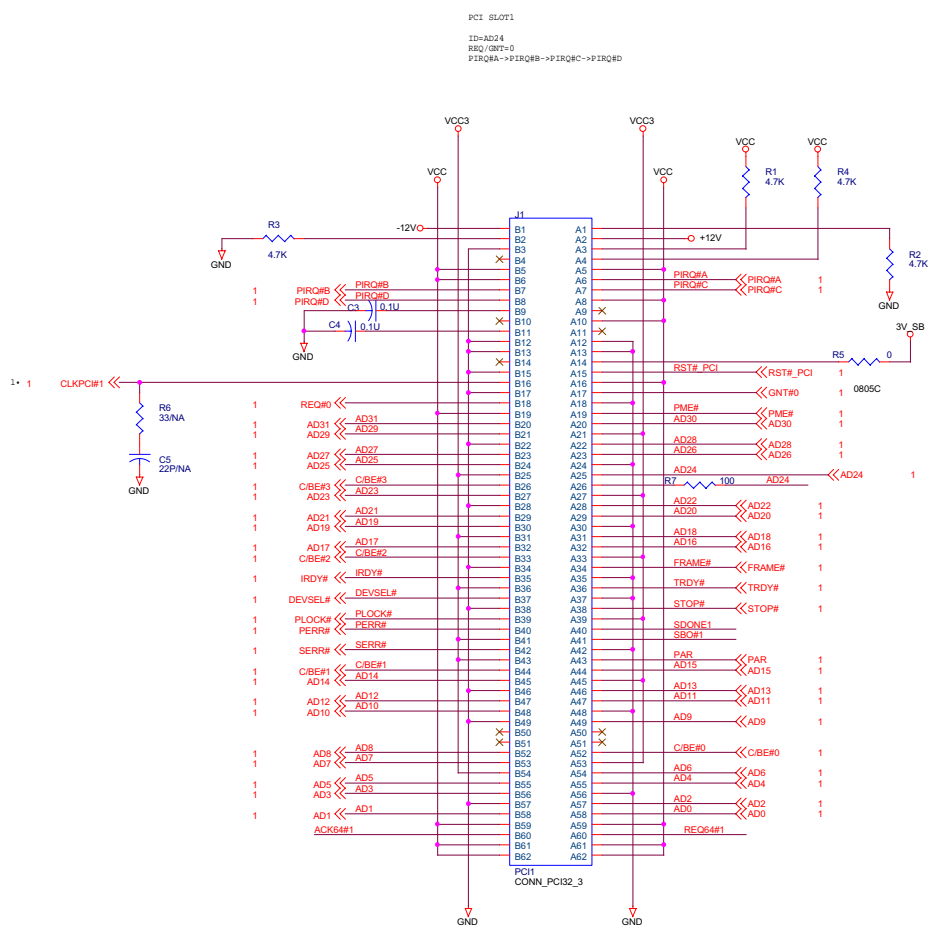
L18K
2, 8C8
3, 8C8

DRAWN :	DESIGN :	CHECK :	ISSUED :

PCB 316708200004
PCB;PWA-BK6742/RISER BD



Project Title PCB;PWA-BK6742/RISER BD	
Pag Title PCI RISER	
Document Number 411708200011	Rev 01
Date: Wednesday, March 14, 2001	Sheet 1 of 2



	Project Title	PCB:PWA-BK6742/RISER BD
	Page Title	PCI SLOT
Document Number	411708200011	Rev 01
Date:	Wednesday, March 14, 2001	Sheet 2 of 2